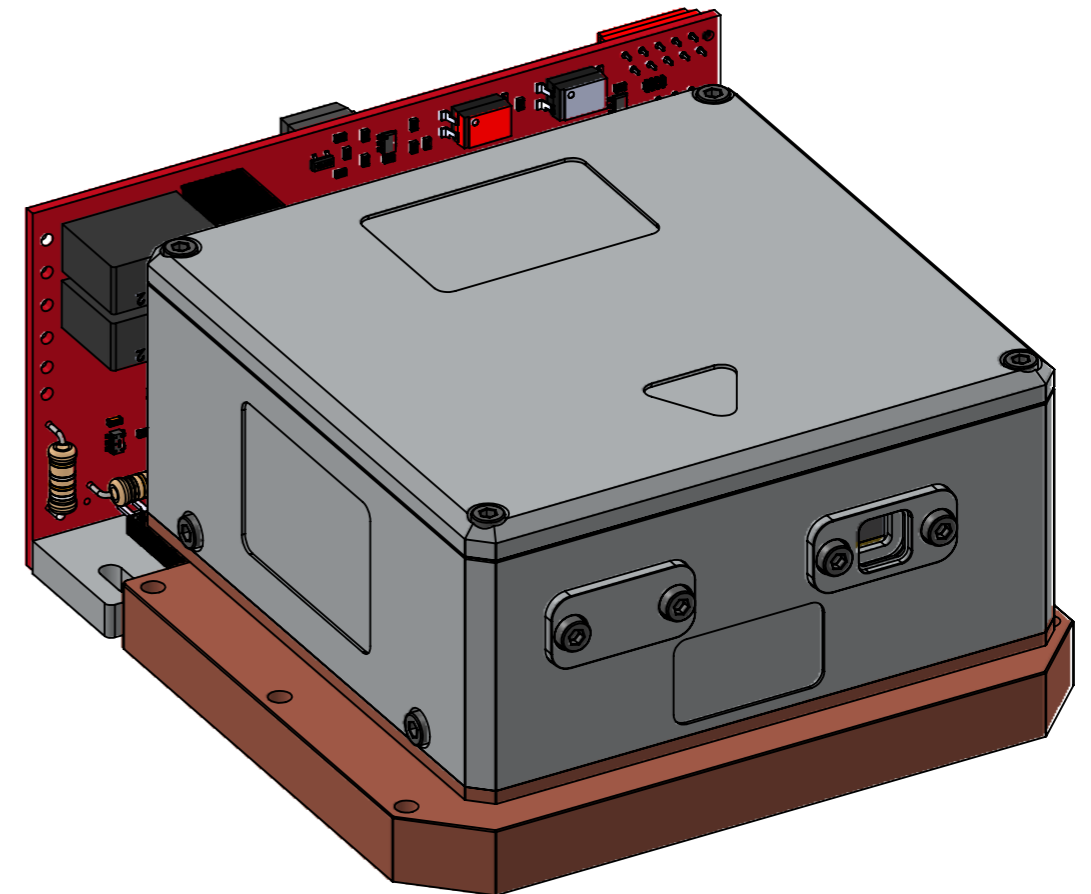
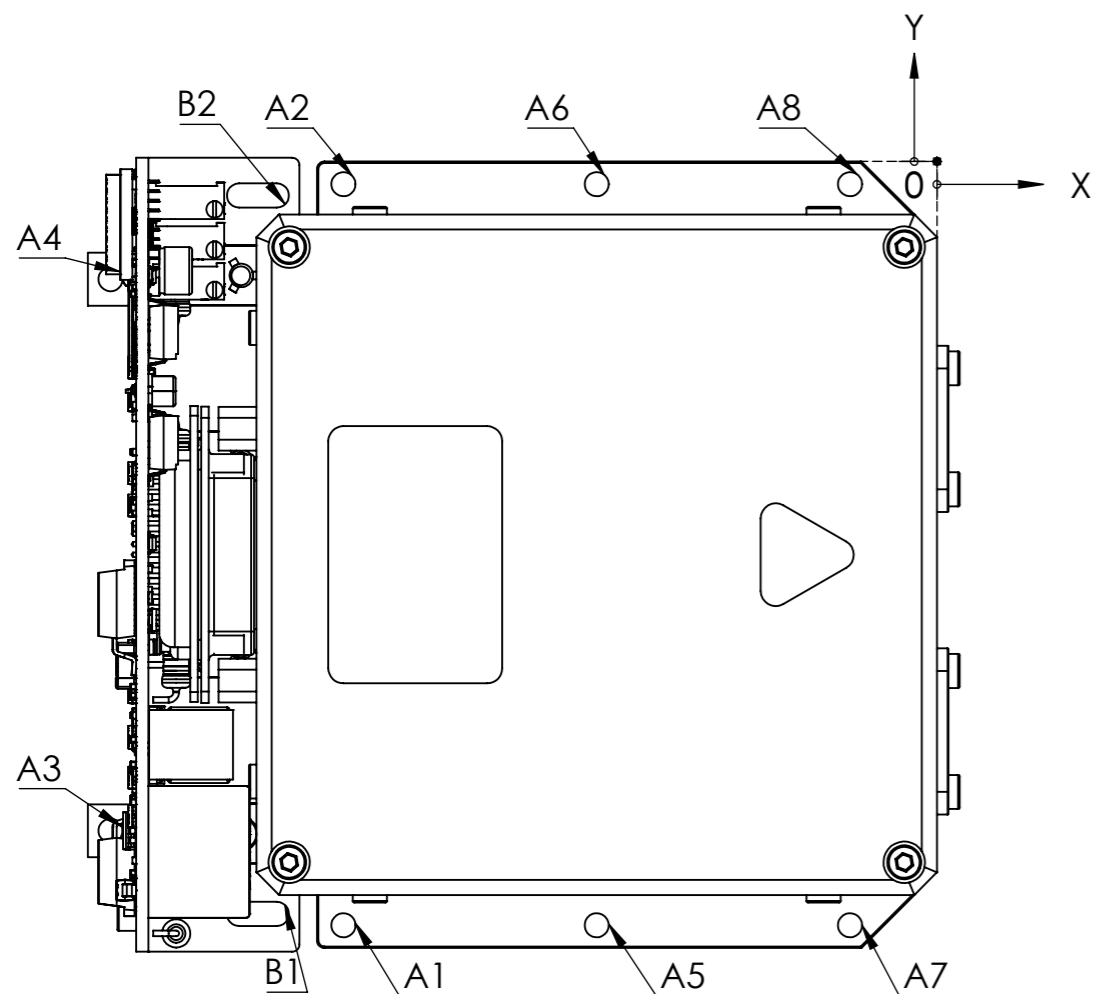



TAG	X LOC	Y LOC	SIZE
A1	-78,48	-101	Ø 3,20 THRU ALL
A2	-78,48	-3	
A3	-109,28	-88,50	
A4	-109,28	-15,56	
A5	-44,98	-101	
A6	-44,98	-3	
A7	-11,48	-101	
A8	-11,48	-3	
B1	-89,78	-99,50	3,20 X 8,20
B2	-89,78	-4,50	



Name: R12D2W	Manufacturer:	
IN ORDER TO PROVIDE THE POSSIBLE HIGHEST QUALITY WE RESERVE THE RIGHT TO CHANGE THE SPECS WITHOUT PRIOR NOTICE	Sheet Size: A3	
FOR INFORMATION ONLY NOT FOR DESIGN	Sheet Scale: 1:1	