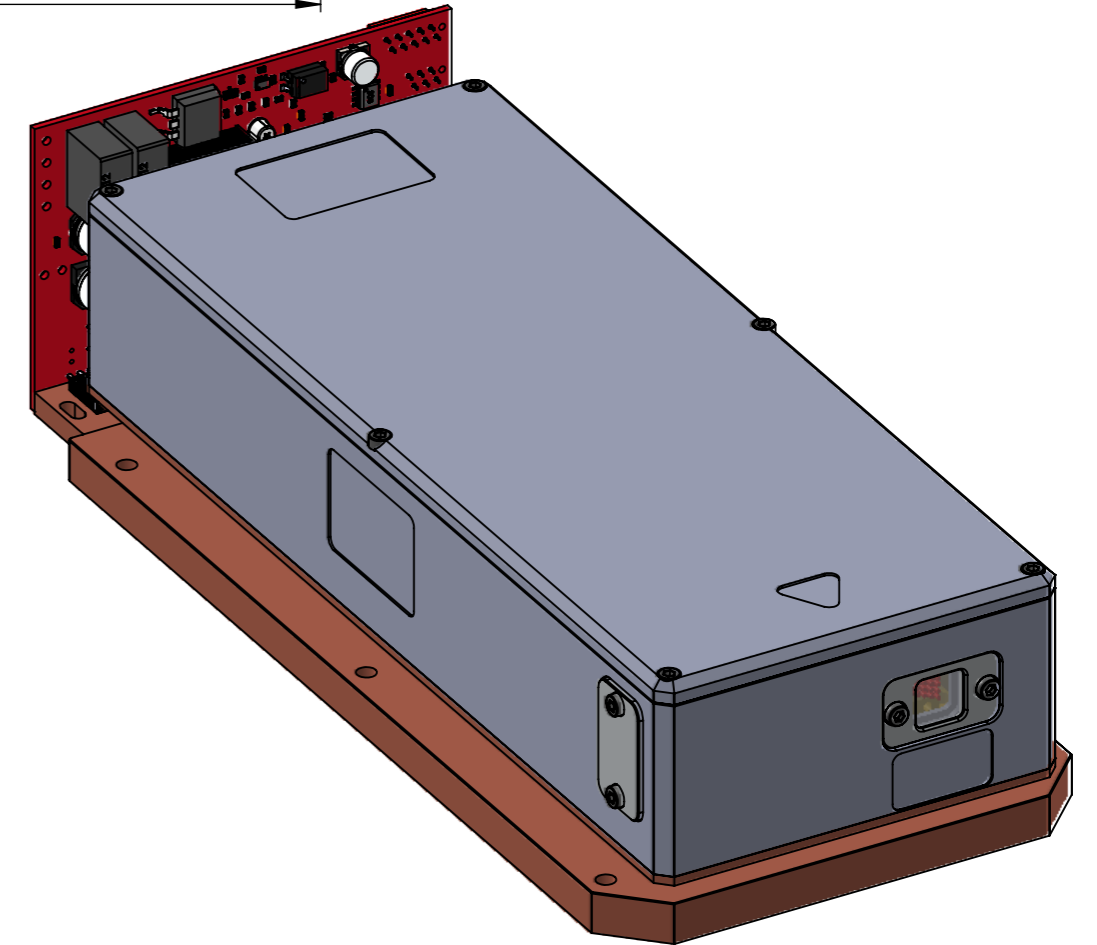
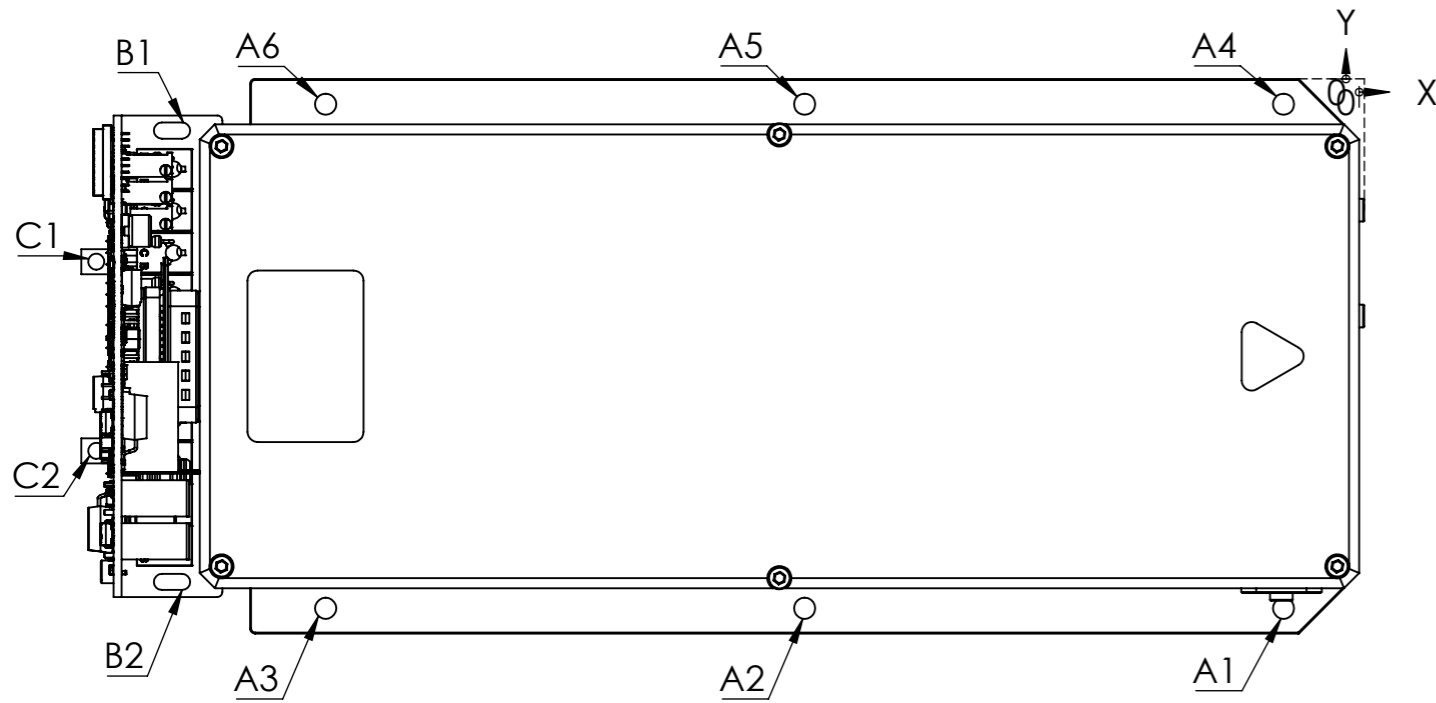



TAG	X LOC	Y LOC	SIZE
A1	-15	-105	Ø 4,20 THRU
A2	-110	-105	
A3	-205	-105	
A4	-15	-5	
A5	-110	-5	
A6	-205	-5	
B1	-410,31	-219,51	3,20 X 7,20
B2	-233,50	-99,76	
C1	-250,50	-36,24	Ø 3,20 THRU
C2	-250,50	-73,76	



Name: R48D8W	Manufacturer:	
IN ORDER TO PROVIDE THE POSSIBLE HIGHEST QUALITY WE RESERVE THE RIGHT TO CHANGE THE SPECS WITHOUT PRIOR NOTICE	Sheet Size: A3	
FOR INFORMATION ONLY NOT FOR DESIGN	Sheet Scale: 1:1.5	