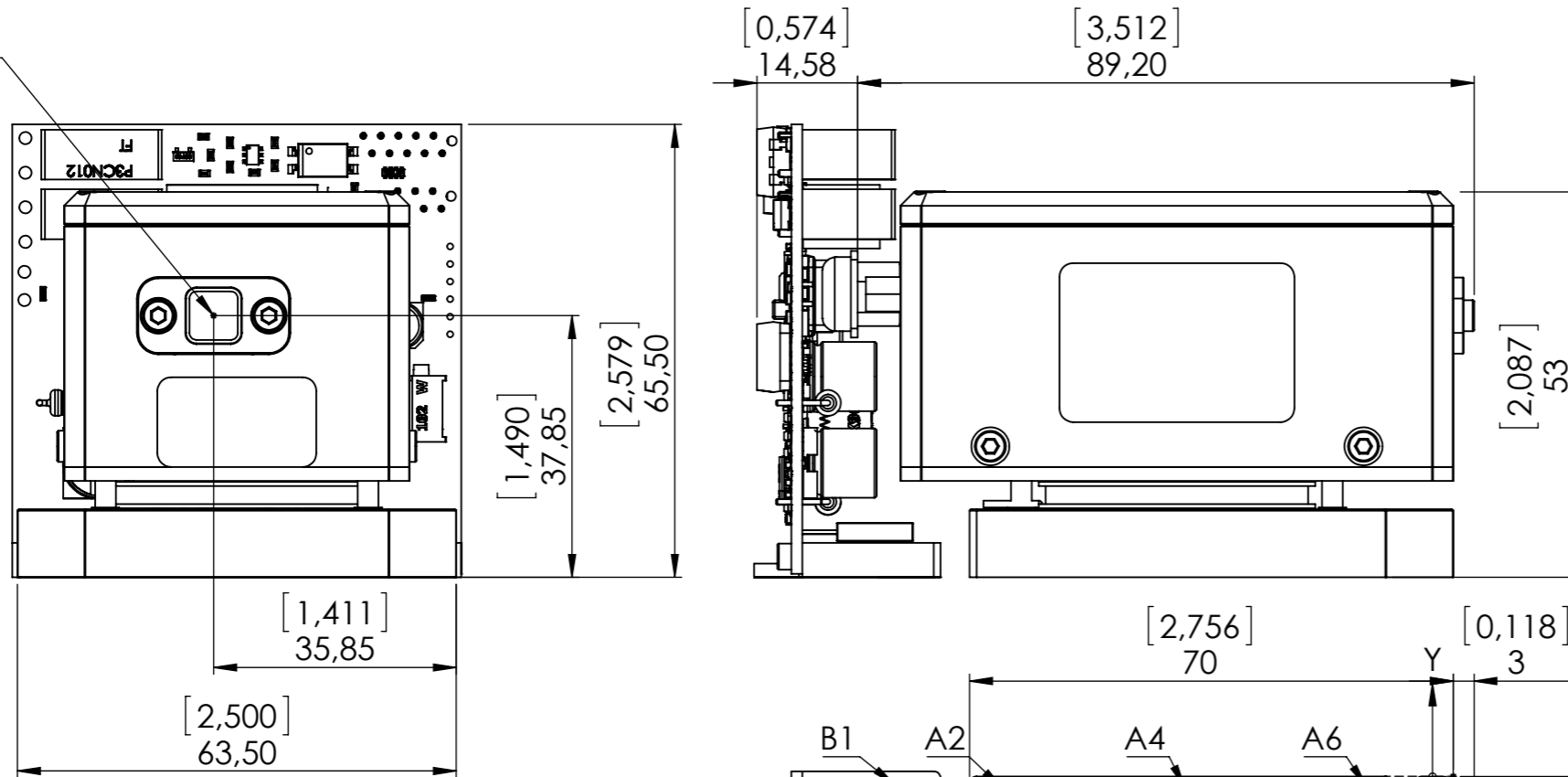
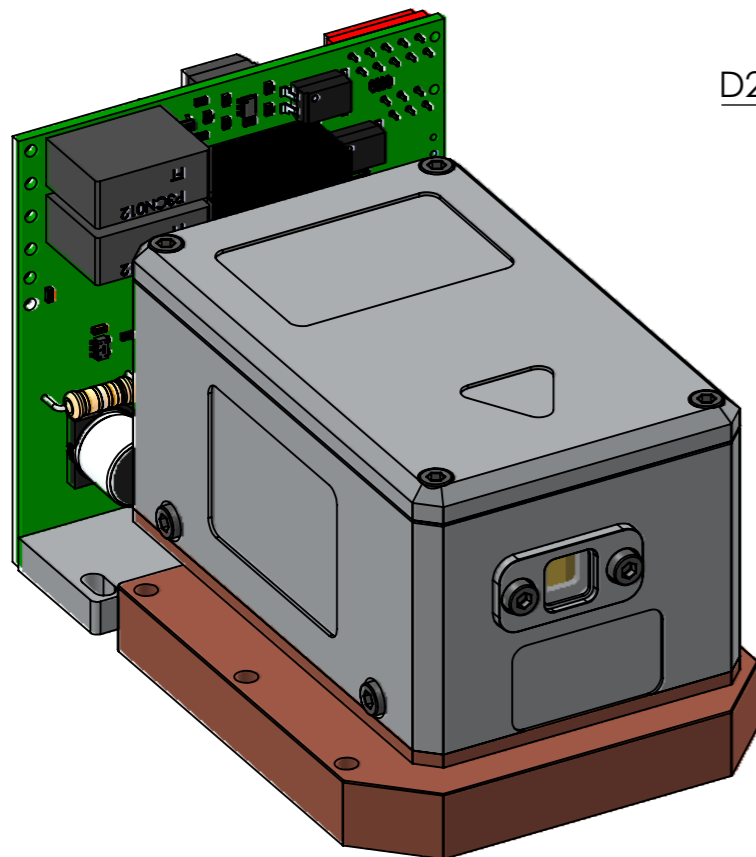
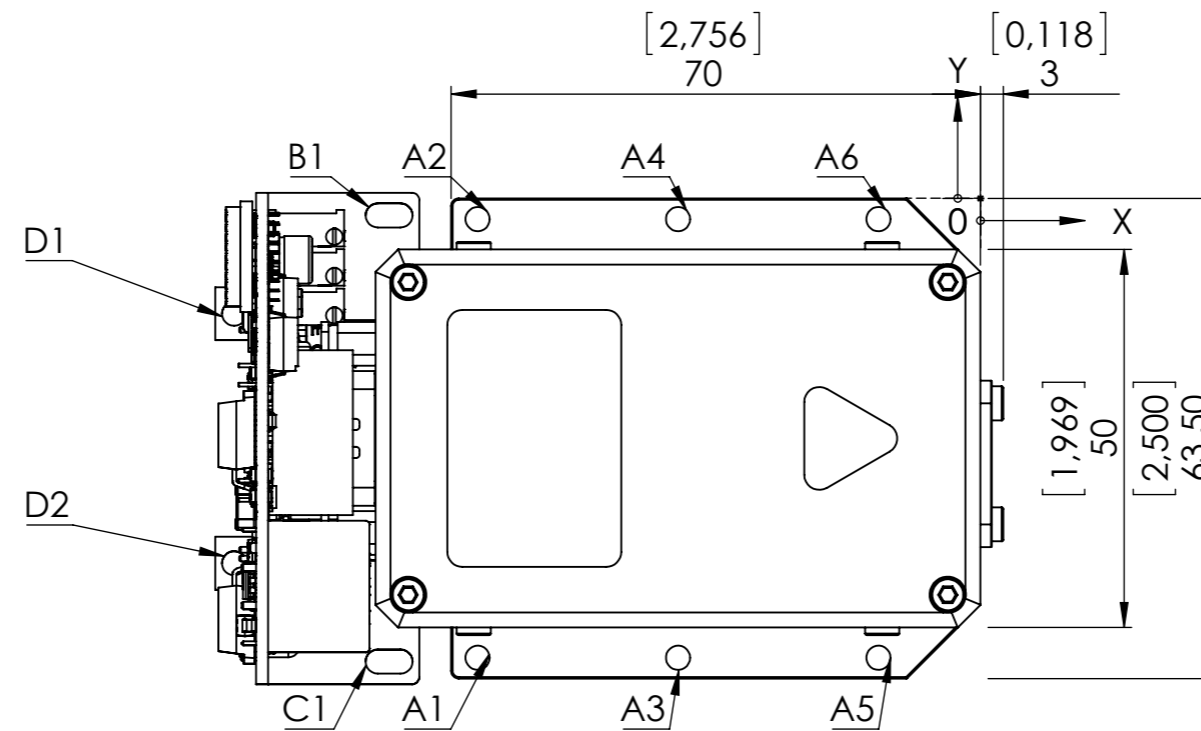



Beam position



TAG	X LOC	Y LOC	SIZE
A1	-66,50	-60,75	Ø 3,20 THRU ALL
A2	-66,50	-2,75	
A3	-40	-60,75	
A4	-40	-2,75	
A5	-13,50	-60,75	
A6	-13,50	-2,75	
B1	-78,20	-2,26	R 1,6 x4
C1	-78,20	-61,26	R 1,6 x4
D1	-98,7	-15,26	Ø 3,20 THRU ALL
D2	-98,7	-48,26	Ø 3,20 THRU ALL



Name: R6D1W	Manufacturer:	
IN ORDER TO PROVIDE THE POSSIBLE HIGHEST QUALITY WE RESERVE THE RIGHT TO CHANGE THE SPECS WITHOUT PRIOR NOTICE	Sheet Size: A3	
FOR INFORMATION ONLY NOT FOR DESIGN	Sheet Scale: 1:1	