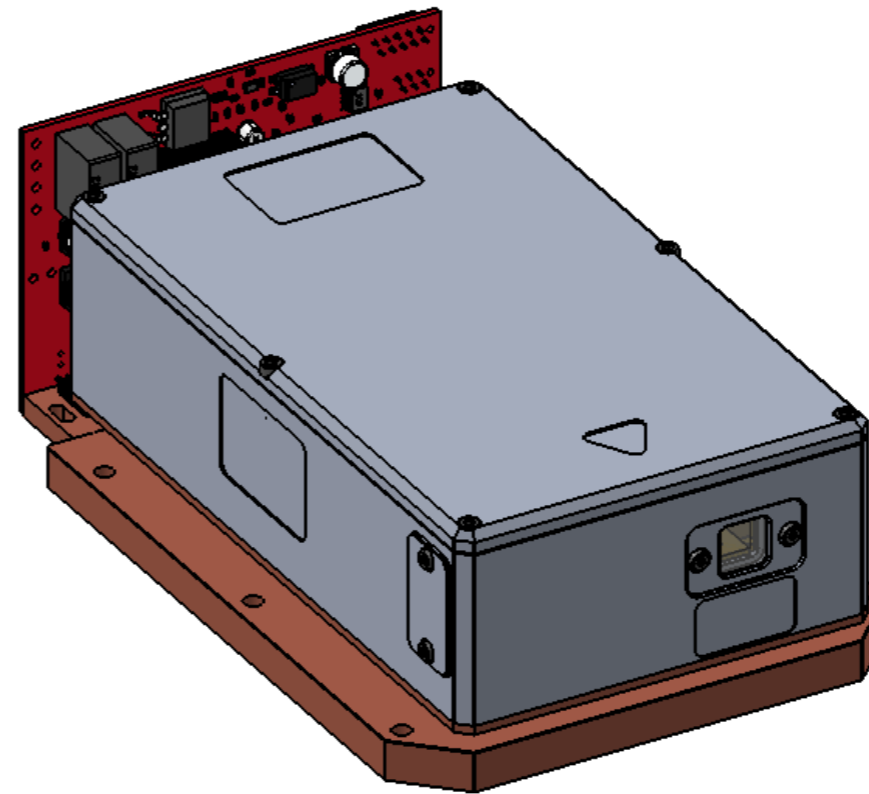
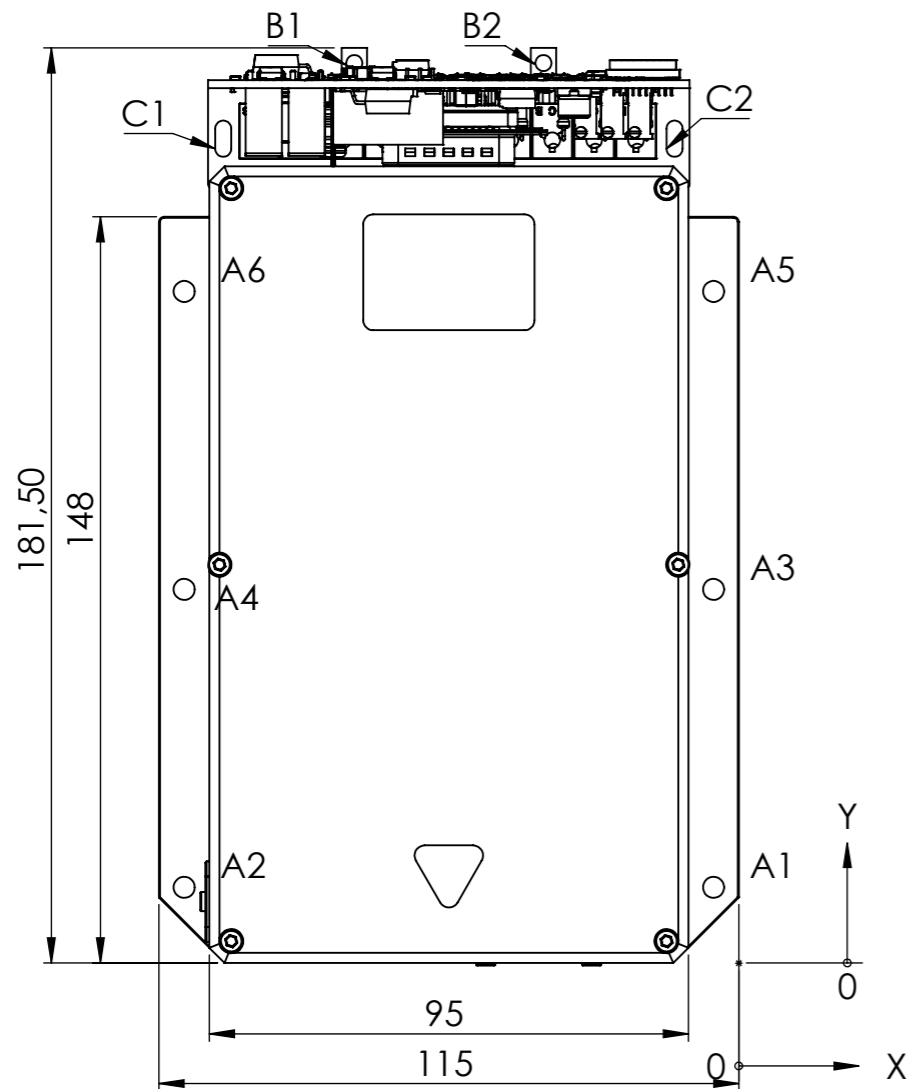


TAG	X LOC	Y LOC	SIZE
A1	-5	15	Ø 4,20 THRU
A2	-110	15	Ø 4,20 THRU
A3	-5	74,10	Ø 4,20 THRU
A4	-110	74,10	Ø 4,20 THRU
A5	-5	133,20	Ø 4,20 THRU
A6	-110	133,20	Ø 4,20 THRU
B1	-76,26	178,50	Ø 3,20 THRU
B2	-38,74	178,50	Ø 3,20 THRU
C1	-102,26	163,50	3,20 X 7,20
C2	-12,74	163,50	3,20 X 7,20



Name: R18D3W-R24D4W-R30D5W

IN ORDER TO PROVIDE THE POSSIBLE HIGHEST QUALITY WE RESERVE THE RIGHT TO CHANGE THE SPECS WITHOUT PRIOR NOTICE

FOR INFORMATION ONLY NOT FOR DESIGN

Manufacturer:

Sheet Size: A3

Sheet Scale: 1:1.5

