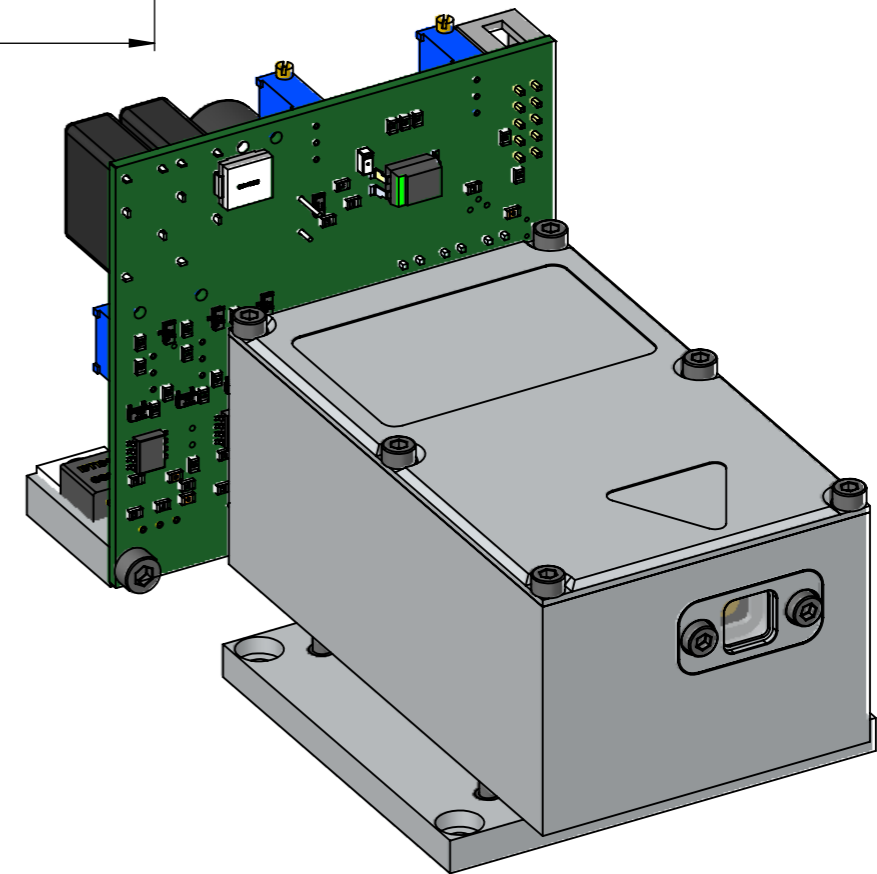
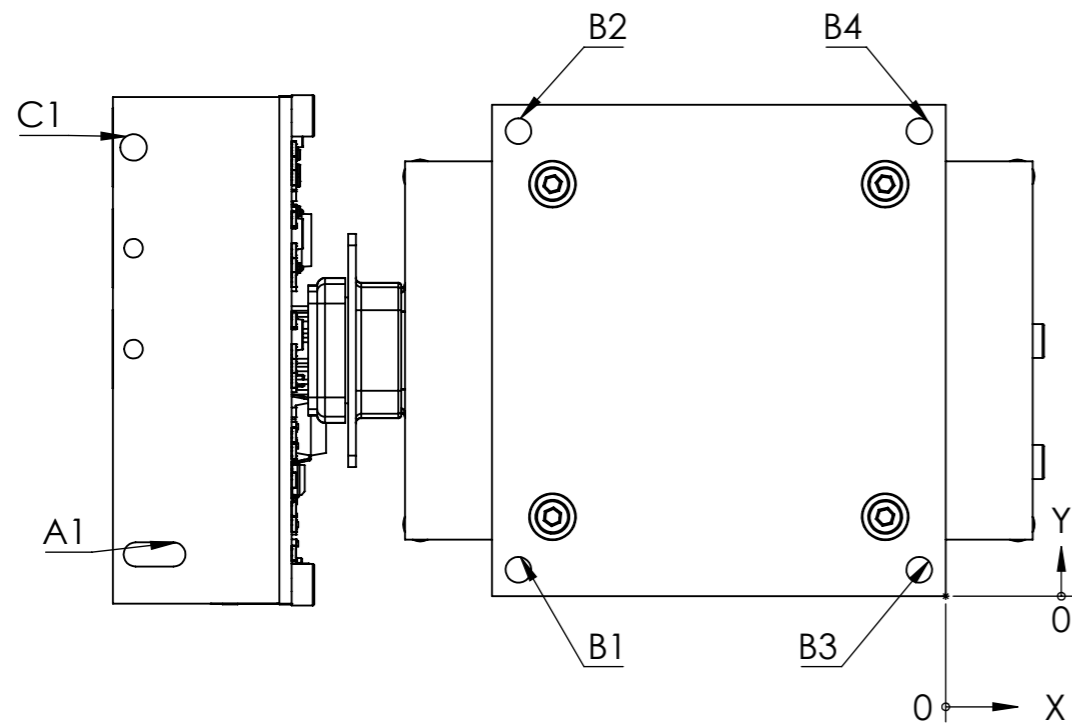


TAG	X LOC	Y LOC	SIZE
A1	-104,62	5,52	3,20 X 8,20
B1	-56,50	3,50	∅ 3,40 THRU ∅ 6,50 ▽ 2,50
B2	-56,50	61,50	∅ 3,40 THRU ∅ 6,50 ▽ 2,50
B3	-3,50	3,50	∅ 3,40 THRU ∅ 6,50 ▽ 2,50
B4	-3,50	61,50	∅ 3,40 THRU ∅ 6,50 ▽ 2,50
C1	-107,40	59,35	∅ 3,50 THRU



IN ORDER TO PROVIDE THE POSSIBLE HIGHEST QUALITY WE RESERVE THE RIGHT TO CHANGE THE SPECS WITHOUT PRIOR NOTICE

FOR INFORMATION ONLY NOT FOR DESIGN

Sheet Size:
A3

Sheet Scale:
1:1

Name:
WG_modul_v2_WG_W4

